

Northern Power Products is proud to announce a single auto/remote start kit that can be installed on Kubota GL7000, GL11000, and GL14000 gensets. The KT00074 kit is designed to be installed into any of the above gensets without the need to make any permanent modifications and can be installed easily with the aid of the included work instructions. As with our other drop-in solutions, this kit includes all the components necessary for any of the gensets.

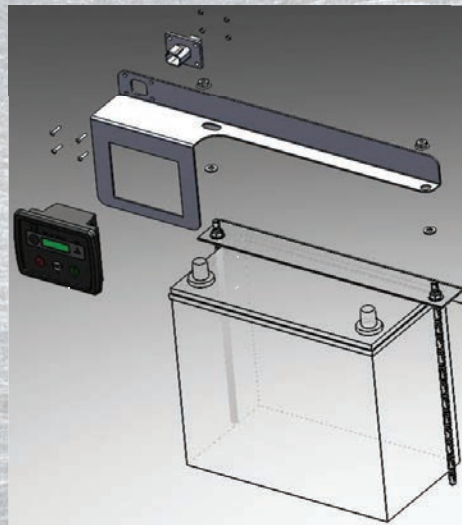


## What is included:

- Deep Sea Engine Controller
- Mounting bracket
- All required wire harnesses
- All required hardware
- Work instructions



GL14000 Installation



GL7000 and GL11000 Installation

## Benefits:

- Hassle-free & easy installation
- 100% reversible installation
- One kit fits all GL series gensets
- Proven controller with high reliability

## Standard Features:

- Auto Start
- Remote Start with 2-wire closure
- Engine hour meter
- Engine low oil pressure shutdown
- Engine high coolant temperature shutdown
- Additional parameters viewable on display